

Name _____

State whether the line between the two points is increasing, decreasing, horizontal, or vertical.

1) $(-11.51, 14.44)$ and $(-3.57, -23.89)$

1) _____

Write an equation of a line with the given description.

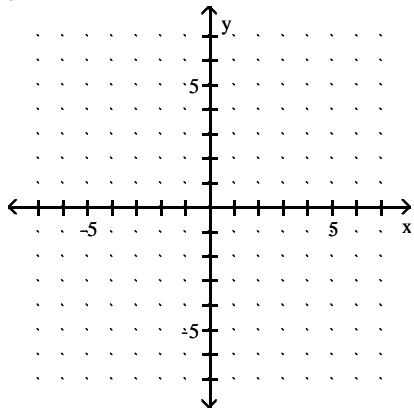
2) A decreasing line that is nearly horizontal with y-intercept below the origin.

2) _____

Sketch the graph of the equation.

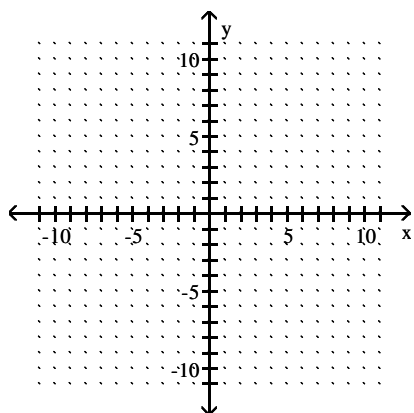
3) $y = -3x$

3) _____



4) $y = -8x$

4) _____



Find an equation of the line with the given slope and containing the given point. Express your answer in slope-intercept form.

5) $m = 8, (0, 0)$

5) _____

6) $m = \frac{3}{4}, (8, 4)$

6) _____

Write an equation of a line with the given description.

7) An increasing line that is nearly vertical with y-intercept above the origin.

7) _____

Solve the problem.

8) Some values for a relation are given in the table. Is the relation a function?

8) _____

x	y
1	5
2	9
3	2
3	4
4	7

9) Some values for a relation are given in the table. Is the relation a function?

9) _____

x	y
1	2
2	7
3	7
4	1
5	9

10) Some values for a relation are given in the table. Is the relation a function?

10) _____

x	y
1	2
2	5
3	8
3	11
4	14

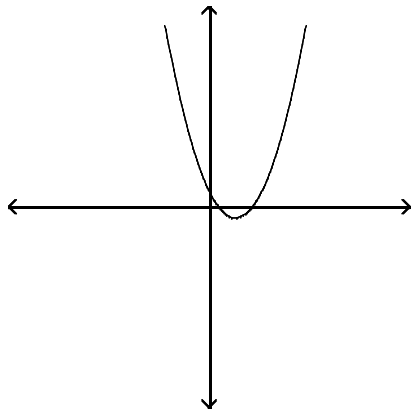
11) Some values for a relation are given in the table. Is the relation a function?

11) _____

x	y
5	3
6	4
7	6
8	6
9	15

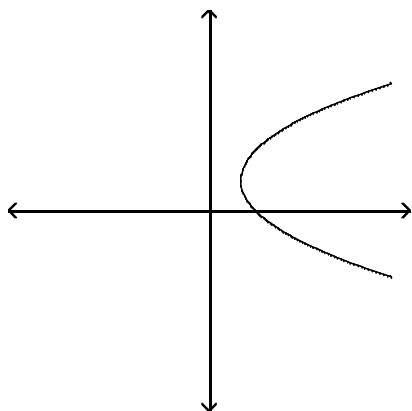
Determine whether the graph is the graph of a function.

12)



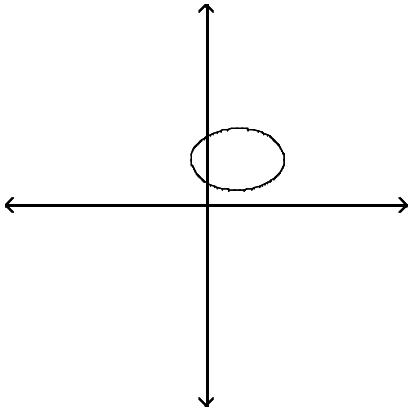
12) _____

13)



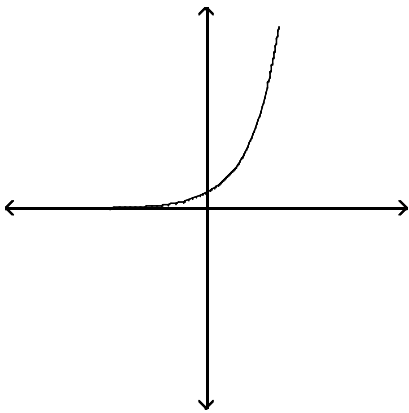
13) _____

14)



14) _____

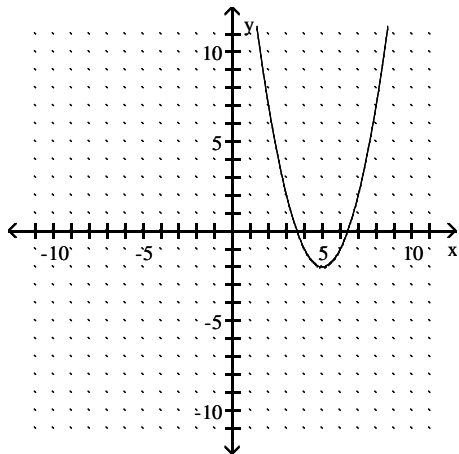
15)



15) _____

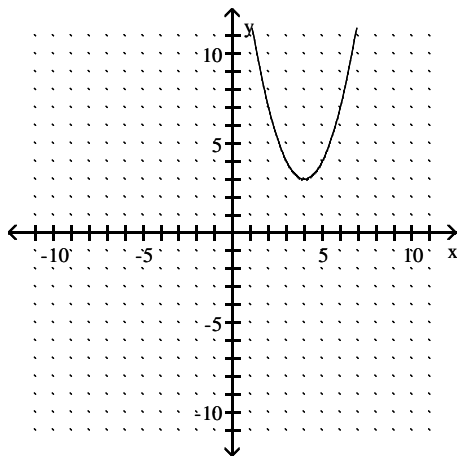
Find the domain and the range of the relation.

16)



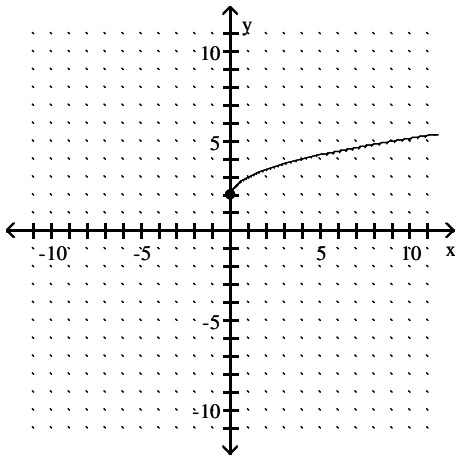
16) _____

17)



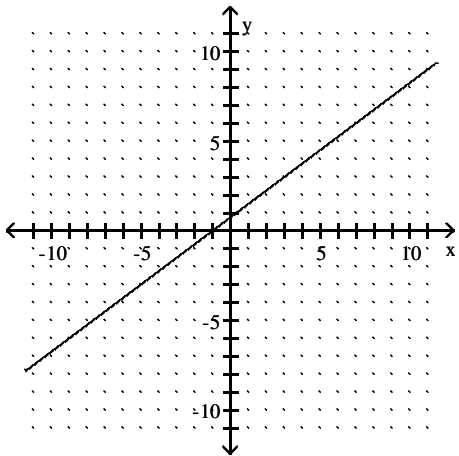
17) _____

18)



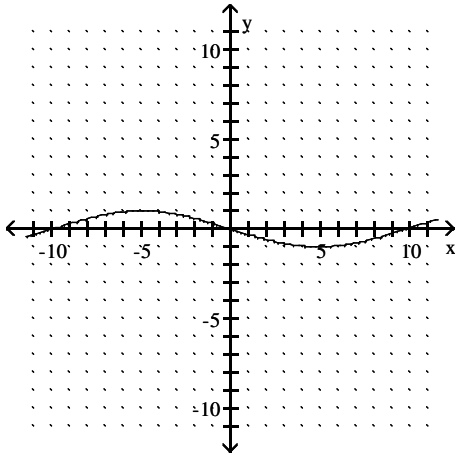
18) _____

19)



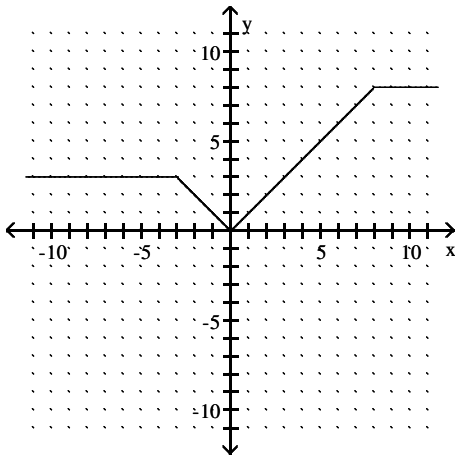
19) _____

20)



20) _____

21)



21) _____

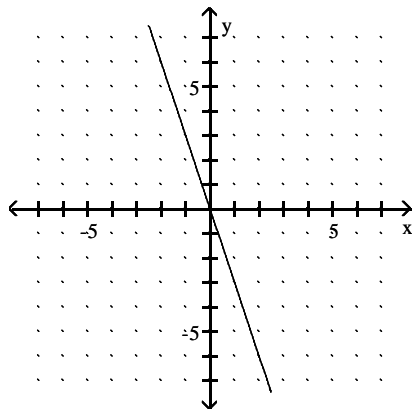
Answer Key

Testname: QUIZ 1PREPARATION CH 1.2 - 1.6V02

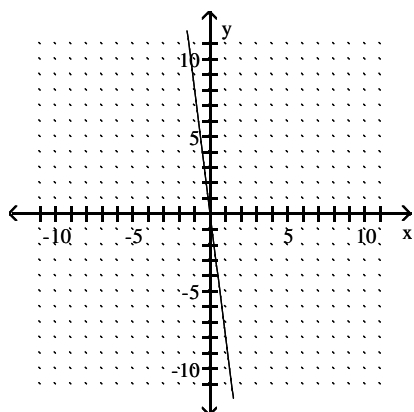
1) decreasing

2) $y = -\frac{1}{9}x - 5$

3)



4)



5) $y = 8x$

6) $y = \frac{3}{4}x - 2$

7) $y = 6x + 4$

8) No

9) Yes

10) No

11) Yes

12) function

13) not a function

14) not a function

15) function

16) domain: all real numbers; range: $y \geq -2$

17) domain: all real numbers; range: $y \geq 3$

18) domain: $x \geq 0$; range: $y \geq 2$

19) domain: all real numbers; range: all real numbers

20) domain: all real numbers; range: $-1 \leq y \leq 1$

21) domain: all real numbers; range: $0 \leq y \leq 8$